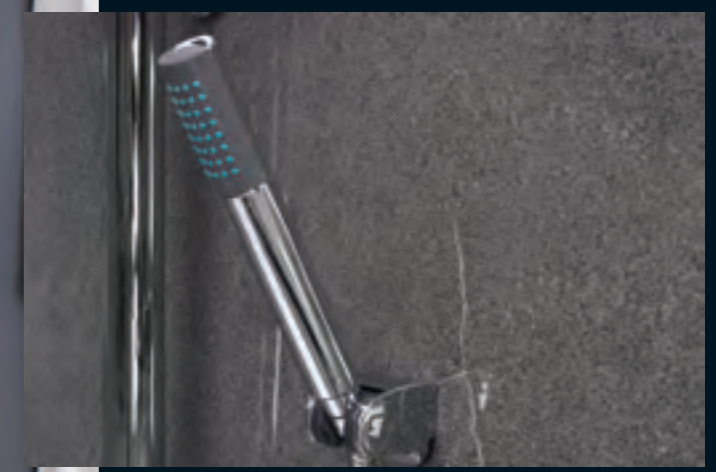




Showerwall

Stylish and elegant
waterproof panelling

Stylish waterproof panelling



Showerwall is the ultimate versatile easy to fit waterproof panelling system, with a moisture resistant MDF core and surfaced in high pressure laminate, designed to deliver a smooth, watertight finish that's tough, hard-wearing, stain-resistant and totally hygienic.

Showerwall is beautiful and available in a wide range of colours, finishes and size specifications to suit every bathroom. And Showerwall is designed to stay beautiful too. That's why, when fitted as directed, Showerwall comes with a watertight 15-year guarantee.

A cost-effective solution



It's easy to spend money like water on a bathroom these days. But because it doesn't need expensive wet-trades, Showerwall is priced to be incredibly cost-effective.





Showerwall

Cleans easier,
cleans cleaner



Bathrooms are notoriously hard to keep clean but Showerwall changes all that with its non-porous, wipe-clean, hygienic surface providing no hiding place for mould, dirt or germs.

Unlike tiles which will collect and harbour dirt, especially in the grout, Showerwall can be simply wiped clean. The hygienic, non-porous surface is resistant to bacteria and there are no seams or cracks where dirt or germs can lurk. So Showerwall doesn't just clean more easily, it cleans cleaner too. Use Showerwall's Anti-Bacterial Cleaner to keep panels looking and performing like new.



A design-led solution whatever the space



Showerswall is the ultimate panelling system for any space. The lightweight panels are available with either a square-cut or tongue-and-groove specification on the vertical edges and in a range of versatile sizes including a 1000 mm panel for maximum flexibility.

< Vanilla Sparkle



White Sparkle >



Travertine Stone >



A clean-cut approach to installation



With Showerwall, there's no more inconvenience and mess. You simply cut the Showerwall panels to size and fix them to the wall. And you won't need to be a qualified tradesman. In fact, anyone who's decent at DIY can do it.



< White Galaxy

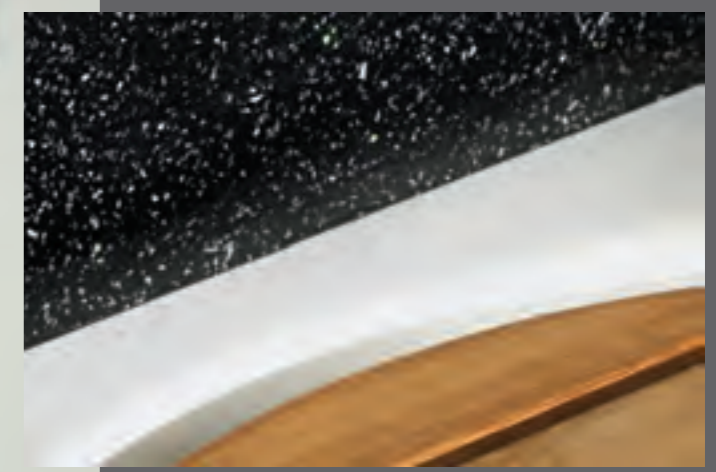


Linea White >



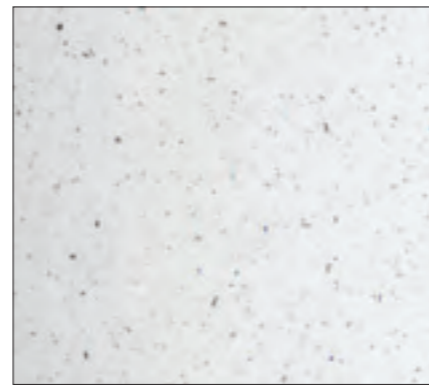
< Brown Marble Gloss

Waterproof panelling, a watertight guarantee

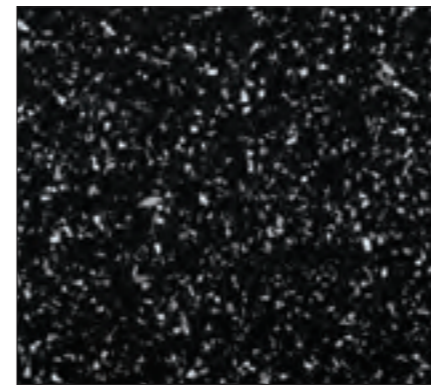


Showerswall is made to look good not just for now but for years to come. That's why Showerswall comes with a 15-year guarantee that's as watertight as the panelling itself.

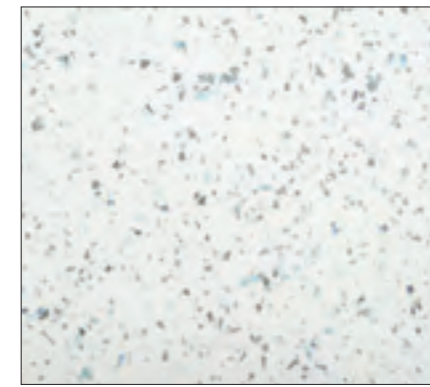
Swatch shop



White Sparkle **PREMIER plus**



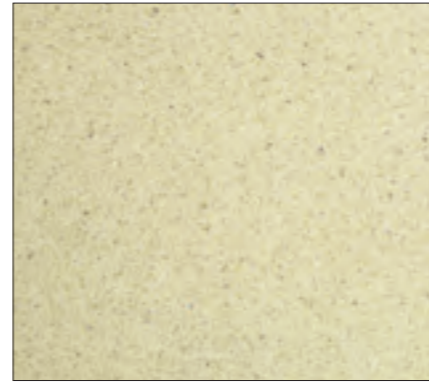
Black Galaxy **PREMIER**



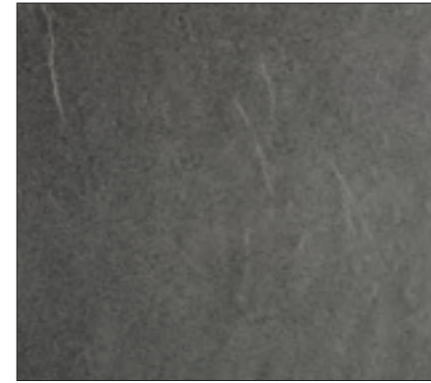
White Galaxy **PREMIER**



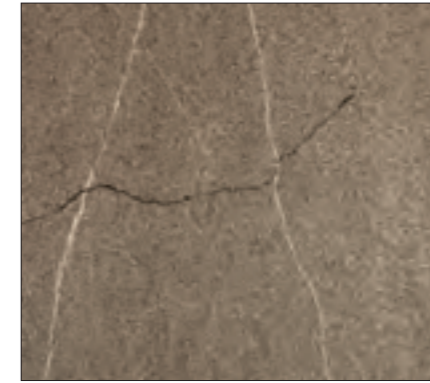
Aqua Ice **PREMIER**



Vanilla Sparkle **PREMIER plus**



Torreano Stone **PREMIER**



Torreano Marrone **PREMIER**



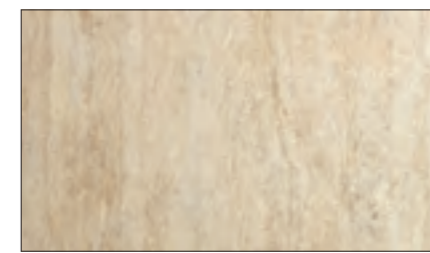
Torreano Sand **PREMIER**



Scala Marble



Linea White



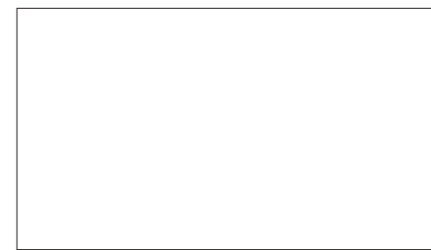
Travertine Stone



Travertine Gloss



Cappuccino Marble Gloss



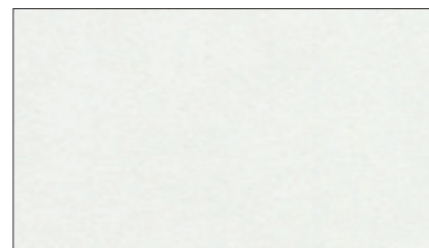
White Gloss



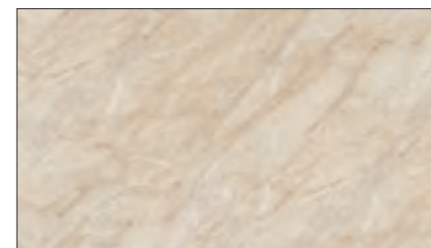
Urban Gloss



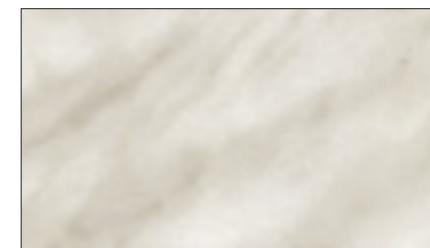
Brown Marble Gloss



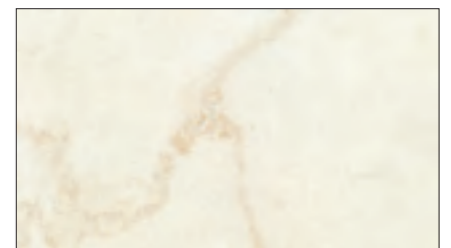
Pearl White Gloss



Ivory Marble Gloss



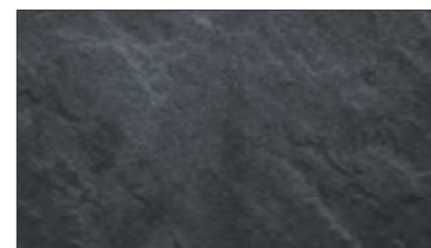
Carrara Marble Gloss



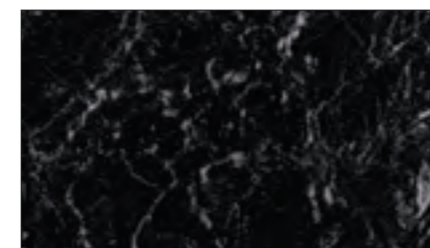
Pergamon Marble Gloss



Pearl Grey Gloss



Slate Grey Gloss



Black Marble Gloss



Galactic Black Gloss



Installation Kit System

Everything you need to install your Showerwall panels available in one handy complete kit.

The 4-step solution to easy Showerwall installation.

Step 1 Pick the colour and size of the 2 panels that you require.

Step 2 Select the colour of trim that you require.

Step 3 Select the colour of the sealant that you require.

Step 4 Select the Showerwall Kit code from the table below.

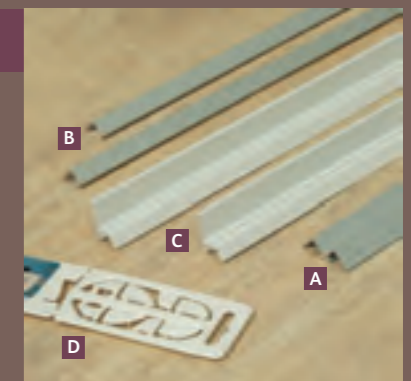
| Trimmings | Clear Sealant | White Sealant |
|-----------------|---------------|---------------|
| Satin Silver | KIT SSC | KIT SSW |
| White Gloss | KIT WGC | KIT WGW |
| Bright Silver | KIT BSC | KIT BSW |
| Antique Gold | KIT AGC | KIT AGW |
| Anthracite Silk | KIT ASC | KIT ASW |



What you get in your Showerwall Kit System

Showerwall trimmings

- A** 1 Internal aluminium trim in your colour choice
- B** 2 Aluminium end trims in your colour choice
- C** 2 Shower Seal PVC trims (white)
- D** 2 Shower Seal PVC end caps (white)



Showerwall fixings

- 2 Showerwall Silicone Sealant for Shower Seal (white)
- 2 Showerwall Silicone Sealant for finishing (white or clear)
- 2 Showerwall adhesive
- 1 Mitre box to assist cutting



Showerwall cleaning

- Showerwall cleaner
- Surface cleaning tissues
- Silicone remover



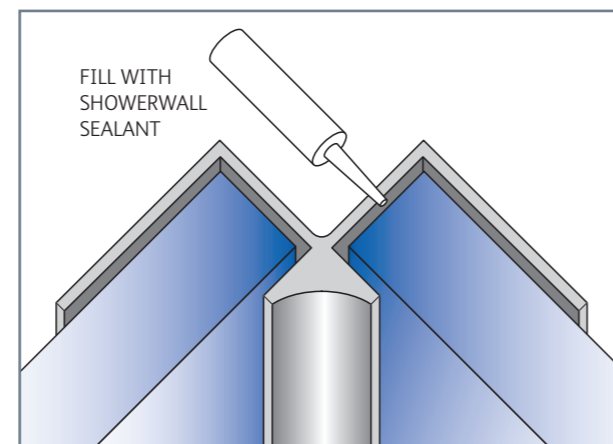
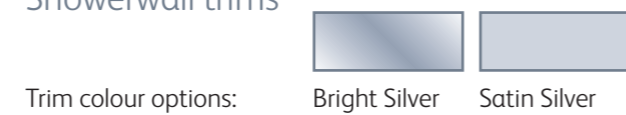
Product specifications

Showerwall panels are manufactured from moisture resistant MDF and faced front and back in high pressure laminate.

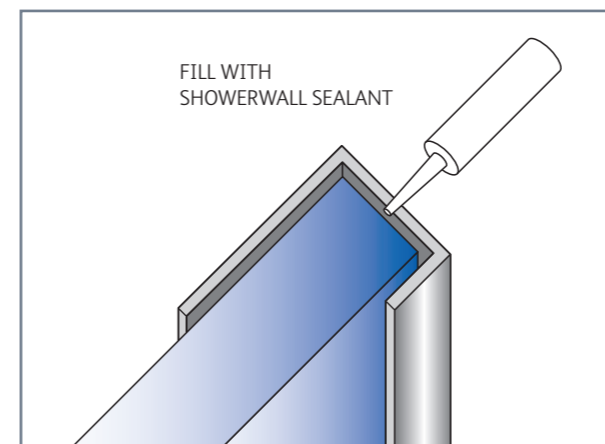
Panel sizes available

| Panel style | Height | Width | Thickness |
|-----------------|--------|---------------|-----------|
| Square cut | 2440mm | 900mm | 10.5mm |
| | 2440mm | 1000mm | 10.5mm |
| | 2440mm | 1200mm | 10.5mm |
| Tongue & groove | 2440mm | 600mm Nominal | 10.5mm |

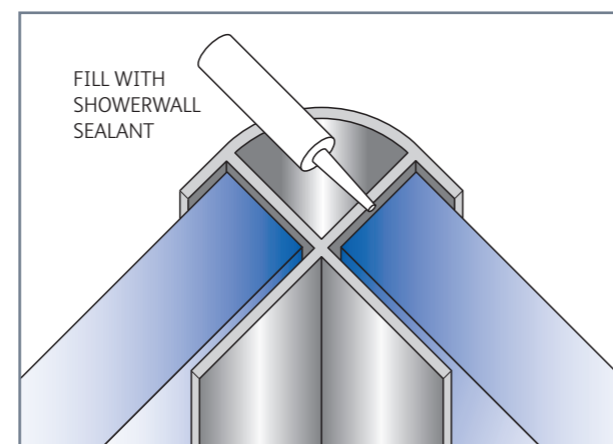
Showerwall trims



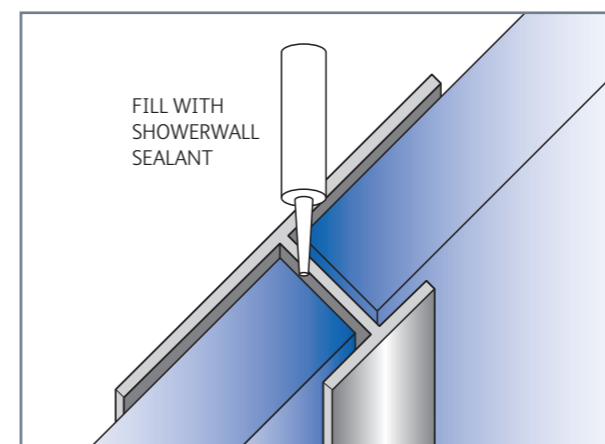
Internal corner 2450mm length. Used on all internal 90° corners. Seal with Showerwall sealant.



U-Trim 2450mm length. Finishing end cap for square cut edge panel. Seal with Showerwall sealant.



External corner 2450mm length. Used on external 90° corners. Seal with Showerwall sealant.



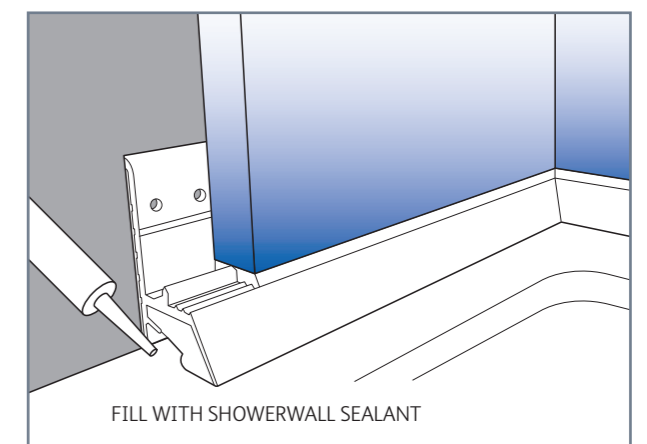
Joining and stacking profile 2450mm length. Used to mount panels side by side, or above each other. Seal with Showerwall sealant.

Showerwall accessories

We recommend Showerwall's own brand of adhesive and sealants are used for the effective fitting of the product.



Sealants and adhesives Showerwall sealant is available in clear and white.



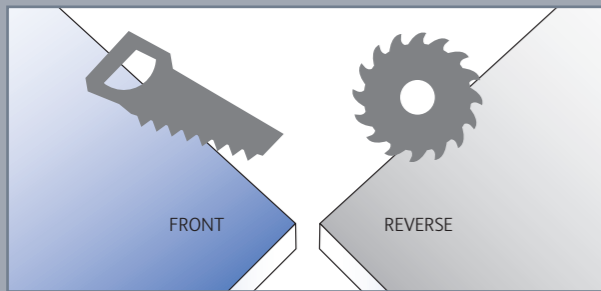
Shower Seal 1800mm length. Used as a flexible seal when installing Showerwall in a shower or above a bath.

Please refer to full fitting instructions supplied with the panels or download them from the Showerwall website www.showerwall.co.uk

Installation summary

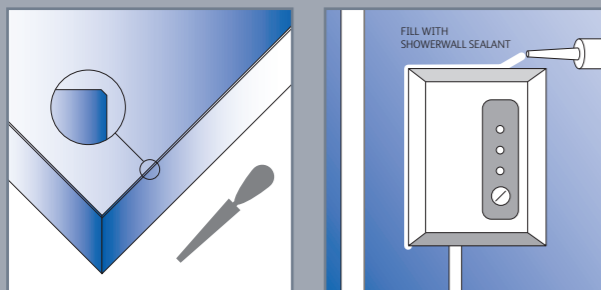
Preparation

Walls should be completely dry and any source of damp treated before cladding with Showerwall panels. Wallpaper and other fabrics should be removed and ceramic tiles should be degreased. Surfaces must be flat, reasonably square and suitable for screws and plugs. If the surfaces are unsound, uneven, or out of plumb, you will need to batten the walls.



Cutting

Showerswall panels can be cut using conventional woodworking tools and fitted directly to walls provided they are sound and reasonably square, to studwork or on top of existing tiles. When cutting the panels with a handsaw the decorative surface should be face upwards. When cutting a panel with a jigsaw or circular saw, the decorative surface should be downwards.

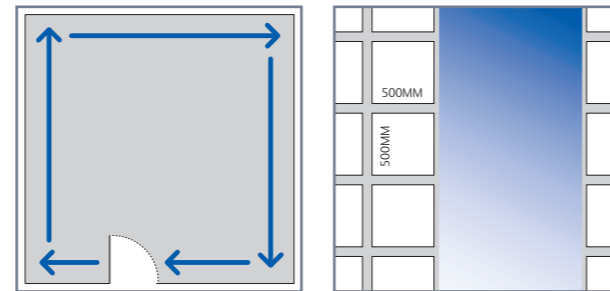


Finishing a cut edge

Pipes and accessories

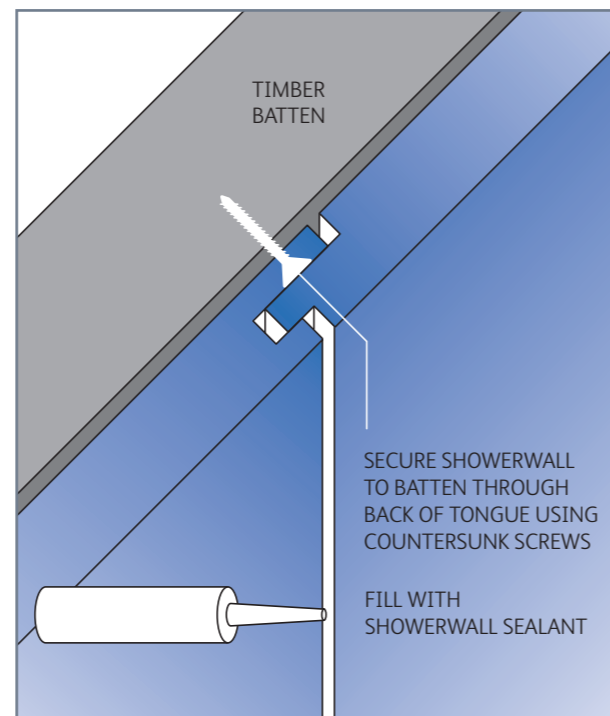
Fixing tongue & groove panels

Showerswall tongue & grooved joints should be installed with Showerwall silicone sealant applied to panels before installation. Tongue and groove panels should be mounted on to horizontal battens to ensure a positive location and a neat joint.



Where to start

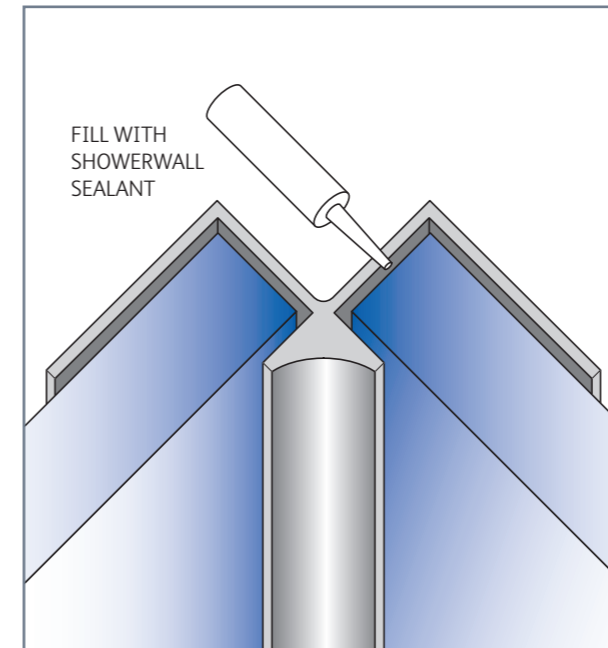
Fixing to battens



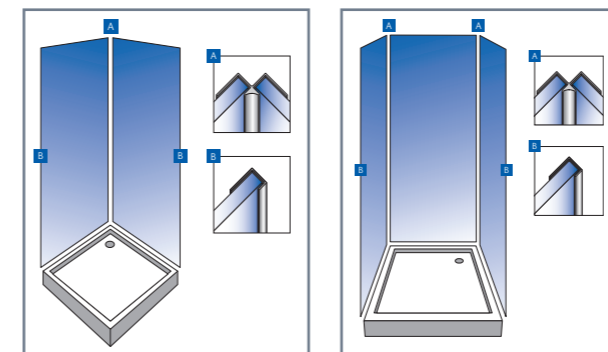
Fixing tongue & grooved panels

Fixing square edge panels

Square edged panels can be joined together using Showerwall trims with Showerwall silicone sealant that forms a strong and secure bond even between non-porous surfaces. The sealant is designed for high pressure and pumped shower systems and has a high degree of elasticity that ensures the bond remains firm during the natural expansion and contraction of the panelling.



Corner joining square edge panels



2-sided shower

3-sided shower

Care and maintenance



Showerswall is more hygienic and easier to maintain than tiles. The non-porous surface provides excellent protection against bacteria, especially in the areas between tiles that are traditionally grouted.

Anti-bacterial cleaner kills germs and keeps hard surfaces clean without scratching and is recommended for the optimum life and performance of the panel.

Abrasive cleaners and bleaches MUST NOT be used on panelling.

Sealant needs to be replaced from time to time. Failure to do this may cause water ingress and subsequent panel damage.



Guarantee When installed using the recommended fitting guide and accessories, Showerwall is guaranteed 100% waterproof for 15 years.



Environmental All Showerwall panels are manufactured using FSC certified MDF, guaranteeing that the wood used in its production is harvested from responsibly managed forests. By buying a product with FSC certification, you are supporting responsible forest management worldwide.



British Standard Fire Rated Class 2
BS 476: Part 7 : 1997

Disclaimer Due to variations in the photographic and printing process, colours shown in this brochure may vary from the actual product. It is advisable to refer to a product sample before making your purchase. We reserve the right to change the specification of these products without prior notification.