



# INSTALLATION INSTRUCTIONS

This leaflet must be read thoroughly  
**before** commencing installation

**Show**erwall

Stylish and elegant waterproof panelling system

## INSTALLER RESPONSIBILITY

Please read the following instructions before fitting Showerwall panelling.

### IMPORTANT:

It is important that you follow and adhere to all of the instructions to ensure the most effective use of the product. To maintain the validity of your guarantee you MUST follow the installation instructions provided. Failure to do this will make all aspects of the guarantee invalid.

### PLEASE NOTE:

Patterns are random unmatched.

## ADHESIVES, SEALANTS AND CLEANERS

Recommended products to fit and maintain your Showerwall panelling.

It is recommended that Showerwall's own brand of adhesive, sealants and cleaner are used for the effective fitting and maintenance of the product.

### SUGGESTED REQUIREMENT

For a 1000mm wide panel, approximately 1 cartridge of Showerwall adhesive and 1 cartridge of Showerwall sealant is required.

Showerwall sealant forms a strong secure bond even between two non-porous surfaces. Showerwall sealant has a high degree of elasticity, which ensures that the bond remains firm during the natural expansion and contraction of the panelling.

**The use of any alternative products may invalidate your guarantee.**

Sealant needs to be replaced periodically. Failure to do this may cause water ingress and subsequent panel damage.

The hard wearing surface of the panelling can be hygienically cleaned with Showerwall spray cleaner which is a mild non-abrasive cleaner with an anti-bacterial agent.

## DO's AND DON'T's

### ✓ PLEASE DO

- ✓ **DO** always store Showerwall panels flat to prevent bowing.
- ✓ **DO** acclimatise the panels for 24 hours prior to installation in dry conditions.
- ✓ **DO** use the recommended silicone and adhesive products.
- ✓ **DO** closely inspect each panel for manufacturing / material surface defects prior and during installation.  
**Should you find a fault, please refer it to your supplier immediately who will assess the problem.**

No claims will be accepted on fitted panels with visual defects.

### ✗ PLEASE DON'T

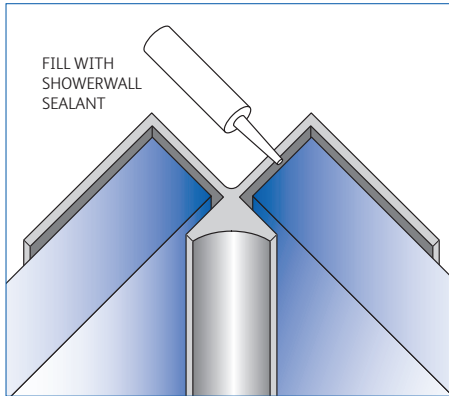
- ✗ **DON'T** store the panels outside or in wet / humid conditions.
- ✗ **DON'T** store the product vertically or propped against a wall.
- ✗ **DON'T** fit tongue and groove panels directly to the wall or ceramic tiles. Battens MUST be used to fit tongue and groove panels.
- ✗ **DON'T** use abrasive cleaners and bleaches.
- ✗ **DON'T** fit Showerwall panels without sealing every joint.

### IMPORTANT

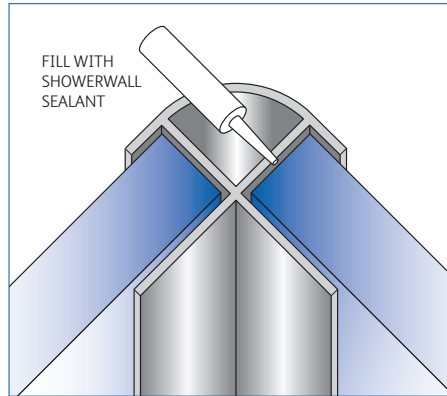
Failure to comply with the Showerwall installation instructions including the recommended use of Showerwall sealant and adhesive may invalidate your guarantee and can result in the following problems: • Delamination of panels • Bowing • Colour fading • Protruding across the joints of the Showerwall panel.

## SHOWERWALL TRIMS

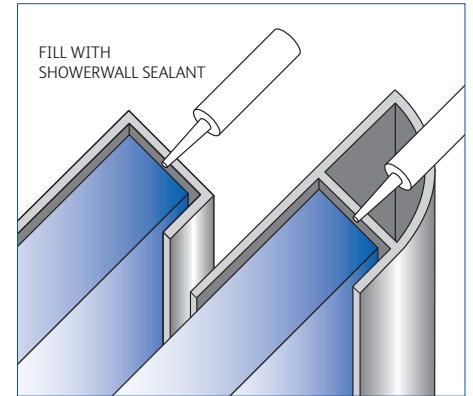
Showerwall trims are available in the following colours and are designed for use in wet and dry panel situations. • BRIGHT SILVER • SATIN SILVER • GLOSS WHITE • BLACK SILK • ANTIQUE GOLD



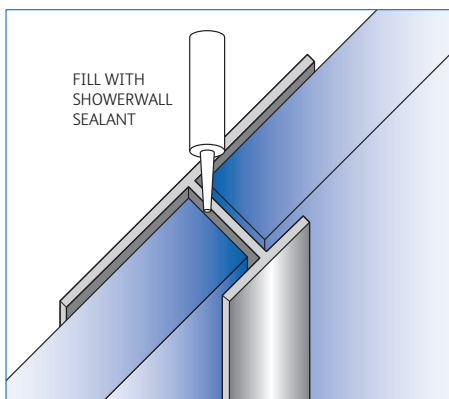
**Internal corner trim**  
2450mm. Used on all internal 90° corners. Seal with Showerwall sealant.



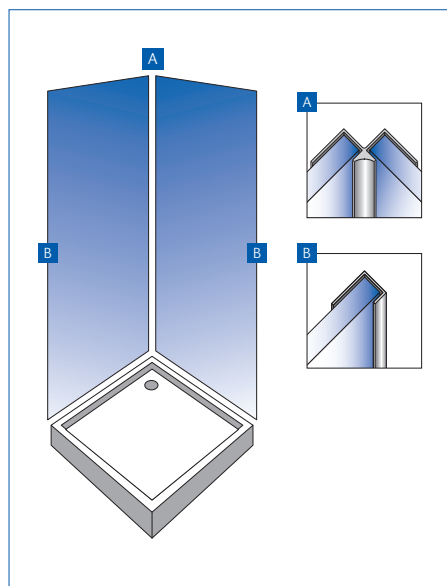
**External corner trim**  
2450mm. Used on external 90° corners. Seal with Showerwall sealant.



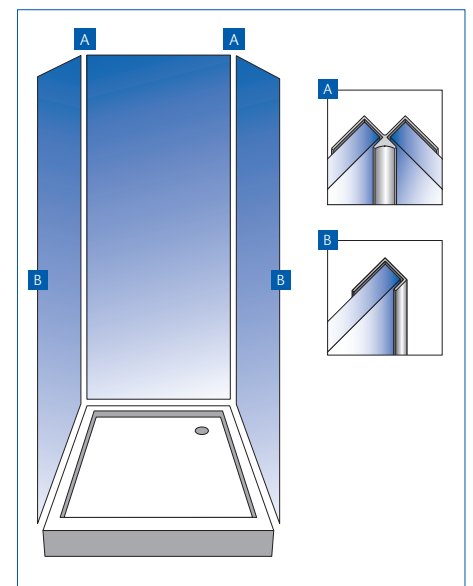
**End trims and Quadrant trims**  
2450mm. Finishing end cap for square cut edge panel. Seal with Showerwall sealant.



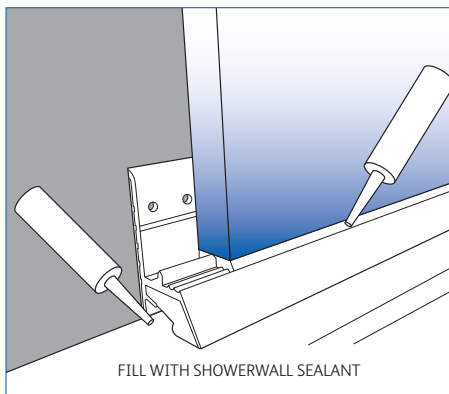
**Joining and trim**  
2450mm. Used to mount panels side by side. Seal with Showerwall sealant.



**2-sided shower system**



**3-sided shower system**

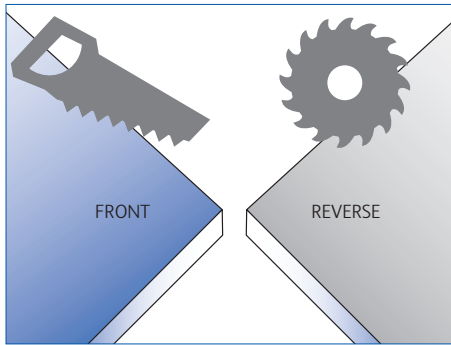


**Shower Seal** 1800mm length. Used as a flexible seal when installing Showerwall in a shower or above a bath.

### IMPORTANT

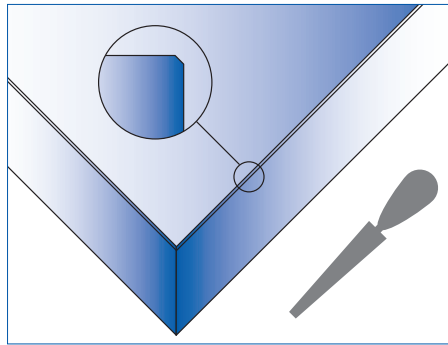
Failure to comply with the Showerwall installation instructions including the recommended use of Showerwall sealant and adhesive may invalidate your guarantee and can result in the following problems: • Delamination of panels • Bowing • Colour fading • Protruding across the joints of the Showerwall panel.

## STEP 1 PANEL PREPARATION



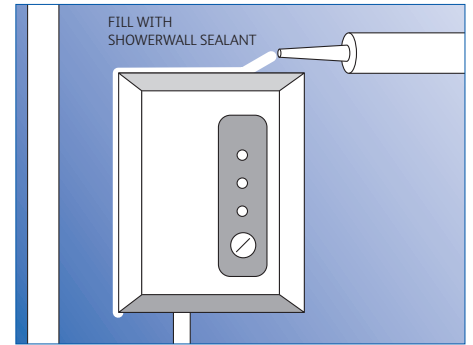
### Cutting panels

When cutting the panels to width and height with a handsaw, the decorative face should be upwards. When cutting with a jigsaw or circular saw, the decorative face should be downwards.



### Finishing a cut edge

File the panel edge at a slight angle away from the laminate edge.



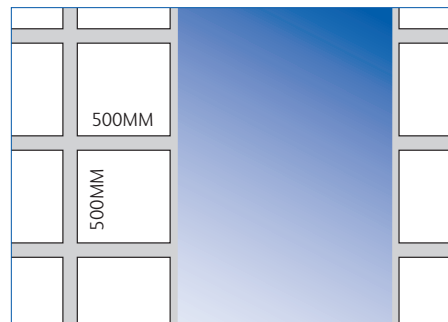
### Pipes and accessories

Leave a 3-4mm clearance around all pipes and accessories and seal with a bead of Showerwall sealant. If a collar is to be fitted first seal with Showerwall sealant. Omitting the sealant or using an inferior sealant type could invalidate the guarantee if failure is clearly caused by excessive water ingress.

## STEP 2 WALL PREPARATION

Check before and during installation for visible defects in the panels.

Once fitted, it is assumed that all installed panels and trims are satisfactory.

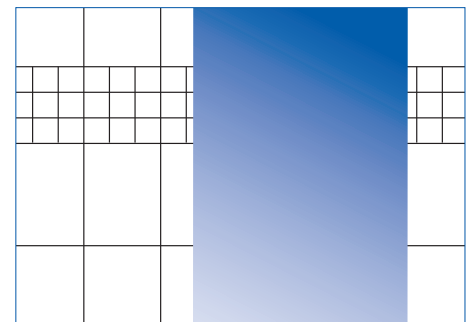


### Fixing to wooden battens (tongue & groove and square edge panels)

It is recommended that all panels are fixed to treated battens (tongue and groove panels must be fixed on to vertical and horizontal battens and not directly to the wall) using Showerwall adhesive to provide a level surface to ensure an asymmetrical joint is achieved. Treated timber battens approximately 50mm x 25mm should be fixed horizontally with one at the head and base of the panels with additional vertical battens at a recommended distance of 500mm apart.

They should be plumb and parallel to each other to give a solid base for fixing the panels with Showerwall adhesive.

Wash hand basins, towel rails and other heavy items should have additional battens behind them to give a secure fixing.



### Fixing to tiles, plasterboard or plastered wall (square edge panels only)

If fixing to the walls without treated battens it is essential that all walls are sound, completely dry and clean before cladding with Showerwall panels. Any source of dampness MUST be treated before fixing. If fixing direct to a tiled surface it must be sound and degreased.

Showerwall sealant must be used as the fixing adhesive when sticking the panels to ceramic tiles.

All surfaces must be flat, sound and clean from dirt and dust. If the walls are uneven and out of plumb treated battens must be used as a fixing method. When fitting treated battens it must be ensured that they are fixed level and square.

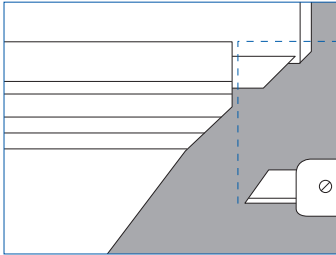
### IMPORTANT

Failure to comply with the Showerwall installation instructions including the recommended use of Showerwall sealant and adhesive may invalidate your guarantee and can result in the following problems: • Delamination of panels • Bowing • Colour fading • Protruding across the joints of the Showerwall panel.

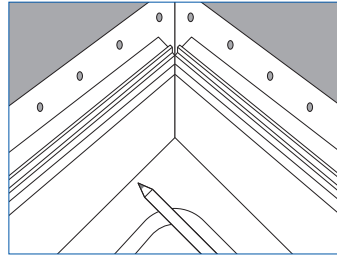
## STEP 3 FIXING THE SHOWERSEAL SYSTEM

Showerseal is a 2 part system for shower trays and baths comprising of a PVC strip and high performance Showerwall white silicone.

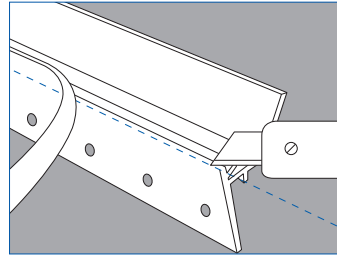
Showerwall recommend Showerseal for use on all applications around showers and baths. To maintain the complete effectiveness of your Showerwall system it is necessary to replace any damaged sealant prior to installation to prevent water ingress.



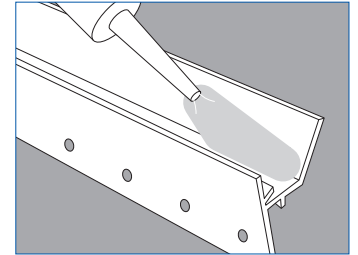
**1** Measure and cut strips to length and notch corners as shown using supplied mitre box.



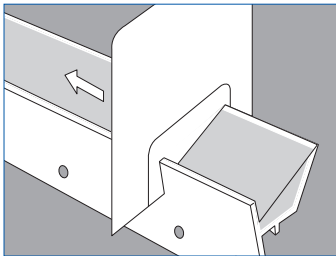
**2** Lay strips in position to check mitre cuts and notches match. With the strips in position, lightly mark the ledge (at 3 points) to define the outer edge of each strip on the shower tray ledge.



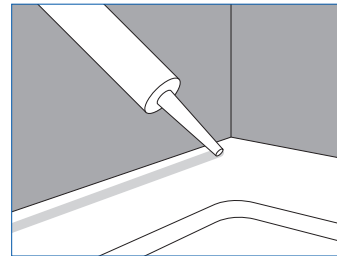
**3** If outer edge of the strip is not resting on the ledge, score and tear off the removable inner leg as shown.



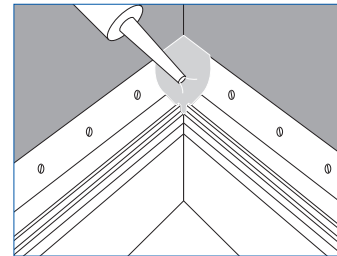
**4** Wipe shower tray ledges with supplied cleaning wipes. Insert Showerseal upside down into the mitre box. **Do not remove green strip from Showerseal.** Rest Showerwall sealant nozzle on strip lay an 8mm diameter line of sealant along full length of strip.



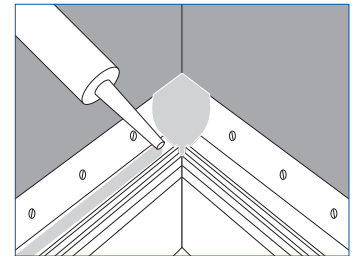
**5** Spread sealant in strip with spatula as shown above. Redistribute or add sealant if required. Ensure sealant is buttered flush with ends of strip.



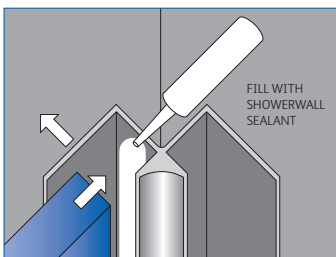
**6** With finger under nozzle and fingertip against wall as guide, lay a straight 8mm line of sealant on the first ledge just inside the 3 marks indicating the outer edge of the strip. Lay a 5mm line of sealant.



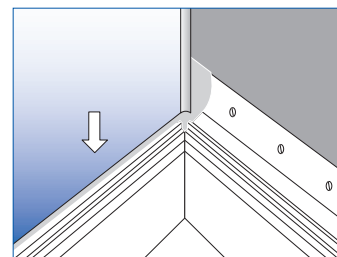
**7** Place strip into position fusing the sealant in strip with the sealant on ledge to make watertight. Nail/screw strip to wall. Remove excess sealant. Butter mitre joints with sealant to ensure fusion of sealant across corners.



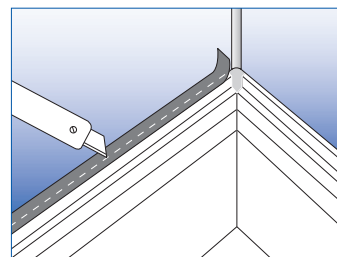
**8** Lay a solid continuous line of sealant in the channel formed between the strip upstand and the adjacent wall panel support leg.



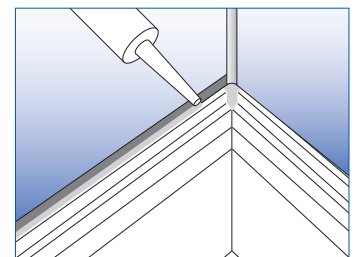
**9** Fix the internal corner trim to the wall and apply recommended Showerwall sealant to the trim.



**10** Prepare and install the Showerwall panel according to the relevant edge profile in STEP 4 Panel Installation. Locate panel in correct position on strip. Fix panel and remove any sealant squeezed out between the strip and panel. Carry out same procedure for remaining panels.



**11** Apply masking tape on each side of the joint between panel and strip to avoid sealant smearing during the sealing process.



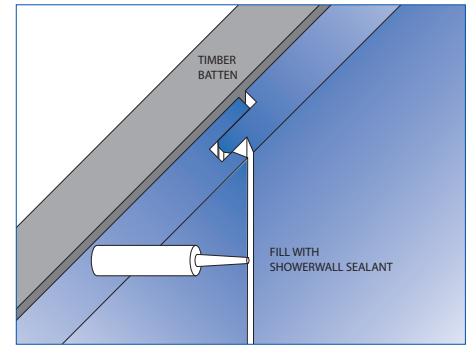
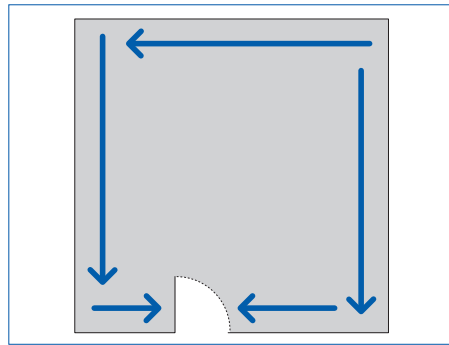
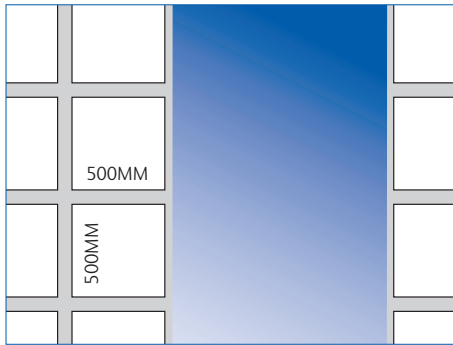
**12** Apply sealant firmly into joint and rub silicone firmly into joint leaving smooth. Remove masking tape and give sealant a final light rub up.

### IMPORTANT

Failure to comply with the Showerwall installation instructions including the recommended use of Showerwall sealant and adhesive may invalidate your guarantee and can result in the following problems: • Delamination of panels • Bowing • Colour fading • Protruding across the joints of the Showerwall panel.

## PANEL INSTALLATION: STEP 4 FIXING TONGUE & GROOVE PANELS

Showerwall tongue & groove panels **MUST** be fitted to battens.



See Step 2 for fixing battens.

**Note:** When Showerseal is not used the Showerwall panel should have a 3mm gap at the base of the panel and above the shower tray. This gap must be filled with Showerwall Sealant. Before pushing the panels together the shoulder of the tongue profile should have a continuous line of Showerwall Sealant down the length of the Showerwall panel to ensure that the joint remains sealed. Sealant needs to be replaced periodically.

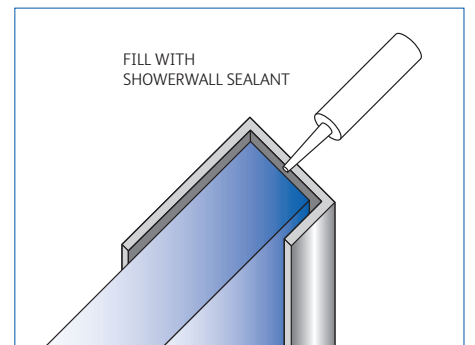
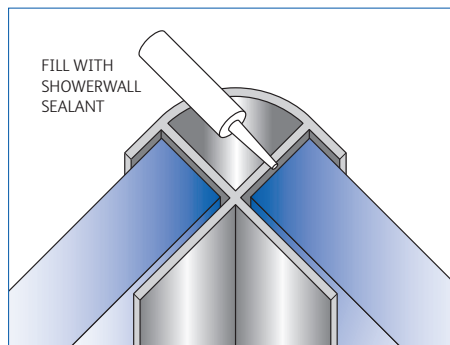
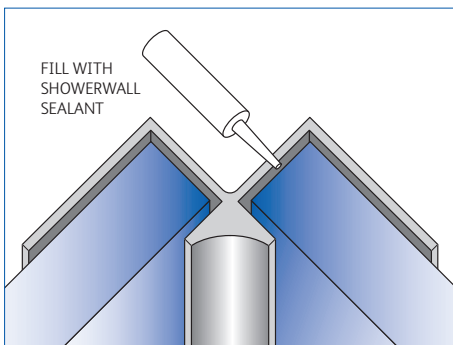
### Where to start

Starting at a corner of the room, working away from this position. The last panel is fitted above the doorway, placed in position tongue first and swung into position. All panels must be correctly aligned and plumb, allowing for 3mm expansion gaps which must be sealed with Showerwall sealant at the top and bottom of the panel. Fix panels to battens using Showerwall panel adhesive. Seal all panel joints using Showerwall sealant.

### Tongue & groove

Vertical edges tongue & groove giving finished panelling a smooth, easily maintained surface. Each panel has asymmetrical tongued and grooved vertical edges to give 5mm of joint overlap. When sealed with Showerwall sealant a waterproof joint is assured.

**PLEASE NOTE:**  
Pattern match is not guaranteed.



### Begin panelling

First fix a Showerwall internal corner profile in position ensuring that it is plumb. Apply Showerwall sealant to the recess of the profile. Apply Showerwall adhesive to the battens. Insert the first panel after removing the smaller tongue, or cutting to size. Then continue to panel away from the corner, fixing panels to battens with Showerwall adhesive, and sealing joints with Showerwall sealant. Allow for 3mm expansion gaps, filled with Showerwall sealant.

Continue panelling around the room fixing each panel to the battens with Showerwall adhesive. Seal tongue and groove joints using Showerwall sealant.

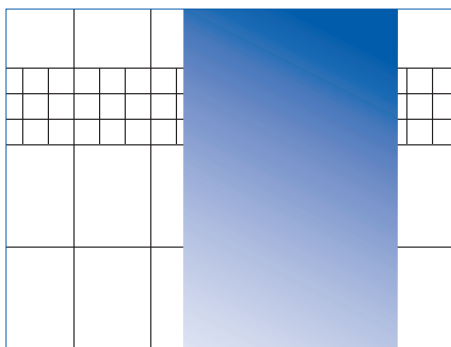
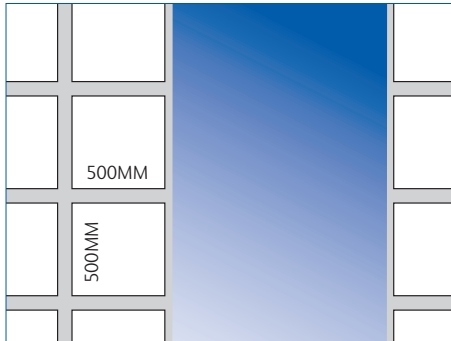
Use internal and external corner profiles, sealing with Showerwall sealant, where appropriate.

### Finishing touches end trim

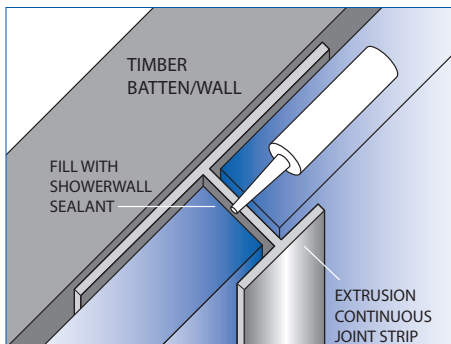
Finish outer panel edges with end trim, applying a generous bead of Showerwall sealant into the end trim. Seal all gaps around the tray with Showerwall sealant prior to installing the shower door or side panel.

## STEP 4 FIXING SQUARE CUT PANELS

Showerwall square cut panels can be fitted to either battens or a flat surface with Showerwall adhesive.

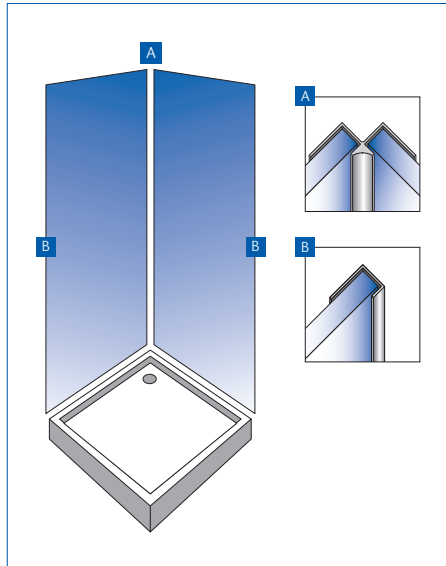


See Step 2 for fixing battens.



### Square cut shower panels

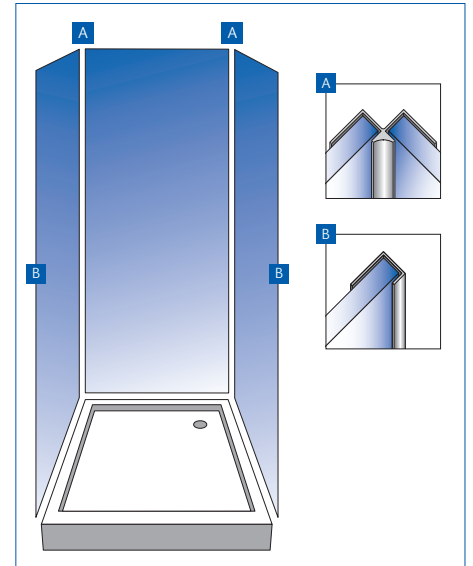
Square cut shower panels are easily cut on-site. The edges being covered by Showerwall aluminium trim extrusions. This will facilitate for faster installation.



### 2-sided shower system

- 1 Fix an internal corner trim (A) into the corner. Apply a bead of Showerwall sealant into one channel of the profile.
- 2 Remove the protective film from the face of the panel and inspect the panel.
- 3 If end trims (B) are required, they must be fitted to the exposed edge of the panel prior to fixing.
- 4 Apply a bead of Showerwall sealant into a channel of the trim.
- 5 Apply a generous amount\* of Showerwall adhesive to the back of the first panel then insert into the corner trim (A) ensuring there is a 3mm clearance at the bottom (if Showerseal is not used) and fix the panel to the wall.
- 6 Apply a second bead of Showerwall sealant into the other channel and fix the second panel.
- 7 Once the panels are fixed further sealing must be carried out to all trims.

\* generous amount = a minimum of 1 tube of adhesive



### 3-sided shower system

- 1 Fix an internal corner trim (A) into one of the corners. Apply beads of Showerwall sealant into both the channels of the trim.
- 2 Remove the protective film from the face of the panel.
- 3 If end trims (B) are required, they must be fitted to the exposed edge of the panel prior to fixing.
- 4 Apply a bead of Showerwall sealant into a channel of the trim.
- 5 Apply a generous amount\* of Showerwall adhesive to the back of the first side panel then insert into the corner trim (A) ensuring there is a 3mm clearance at the bottom (if Showerseal is not used) and fix the panel to the wall.
- 6 Apply a bead of Showerwall sealant into the other internal corner trim (A) and fix to the edge of the back panel. Apply a generous amount\* of Showerwall adhesive to the back of the panel.
- 7 Insert the exposed edge of the back panel into the remaining channel of the first corner trim (A) and swing the panel into place against the back wall.
- 8 Apply a bead of Showerwall sealant into the remaining channel and fix the second panel to the wall.

### Finishing touches end trim

Finish outer panel edges with end trim, applying a generous bead of Showerwall sealant into the end trim. Seal all gaps around the tray with Showerwall sealant prior to installing the shower door side panel. **When Showerseal is not used the Showerwall panel should have a 3mm gap at the base of the panel and above the shower tray. This gap must be filled with Showerwall Sealant.**

### IMPORTANT

Failure to comply with the Showerwall installation instructions including the recommended use of Showerwall sealant and adhesive may invalidate your guarantee and can result in the following problems: • Delamination of panels • Bowing • Colour fading • Protruding across the joints of the Showerwall panel.



Stylish and elegant waterproof panelling system

[info@showerwall.co.uk](mailto:info@showerwall.co.uk) | [showerwall.co.uk](http://showerwall.co.uk)

SWF032012

